

# BRONZE OR ALUMINUM SELF-PRIMING CENTRIFUGAL PUMP

MODEL  
300  
300B



**OBERDORFER PUMPS**  
A Subsidiary of Thomas Industries Inc.

PIPE SIZE 1"



## CLOSE COUPLED TO ELECTRIC MOTOR

3450 RPM, 8' cord and feed thru switch optional, 1/3 H.P., 115 volt, 60 Hz, A.C. NEMA C flange jet pump motor with threaded shaft of stainless steel or monel. Explosion proof motors available on special order.

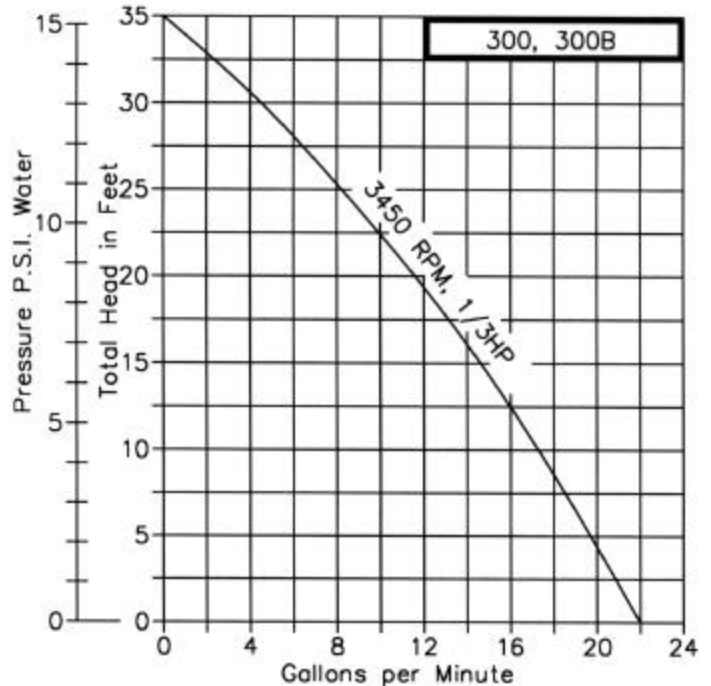
Pump No.	Material
300	Aluminum with stainless steel shaft, Single Phase
300B	Bronze with stainless steel shaft, Single Phase
300B-01	Bronze with Monel shaft, Single Phase
300P	Aluminum with stainless steel shaft, Three Phase

## FEATURES

- n Self-Priming to 20 Feet Suction Lift
- n Available in Bronze or Corrosion Resistant Aluminum
- n Bronze Models with Monel Shaft Sleeve - Ideal for marine service (air conditioning, bilge, and sea water recirculating).
- n Can handle most difficult solvents with proper seal arrangement, Viton(R)\* (S10) or Teflon(R)\* (S11) available.

Up to 22 gallons per minute water flow and suction lift of 15 feet without a foot or check valve (25 foot suction lift using a foot or check valve and a filled inlet line). A 1/2" pipe plug on the tank top is for initial filling of priming chamber and inlet line--pump priming is automatic thereafter. Pump seal is mechanical carbon face type mated to ceramic wear face for maximum durability. Other seal components are made of Buna N with low swell characteristics for compatibility with a wide range of liquids including many chemicals and solvents. These pump models are widely used for the pumping of Perchloroethylene. **Must be operated in the horizontal position. (As shown in picture)**

CAPACITY - Water 60°F - Gallons Per Minute



Capacity - Water 60°F - Gallons Per Minute  
Maximum lift without foot valve is 10 feet.

Discharge Pressure Feet	Equiv. P.S.I.	3450 RPM Suction Lift				
		0 Ft.	5 Ft.	10 Ft.	15 Ft.	20 Ft.
0	0	22	20	17	14	10
5	2.2	20	17	14	10	5
10	4.3	17	14	10	5	---
15	6.5	14	10	5	---	---
20	8.7	10	5	---	---	---
25	10.8	5	---	---	---	---
30	13.0	3	---	---	---	---
35	15.2	1	---	---	---	---

## SEAL OPTIONS

(Note: Seal and shaft modifications below are not physically interchangeable. Consult factory for modification data.)

**Viton (R)\* A Solvent Mechanical Seal:** Mechanical seal for oils, fuels, lubricants, most mineral acids, and many solvents that attack other rubbers such as Carbon Tetrachloride, toluene, benzene, and xylene.

**Teflon(R)\* Mechanical Seal:** For virtually all industrial chemicals, corrosives and solvents - as limited by compatibility of basic pump metal of construction.

\* Viton(R) is a trademark of DuPont Dow Elastomers. Viton(R) or equivalent FKM will be used.  
Teflon(R) is a trademark of DuPont. Teflon or equivalent PTFE will be used.

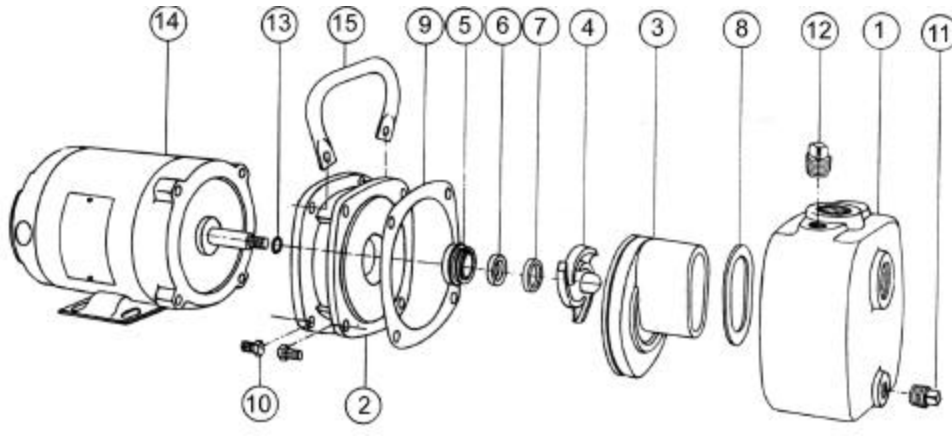
**MODEL**  
**300**  
**300B**

# BRONZE OR ALUMINUM SELF-PRIMING CENTRIFUGAL PUMP



**OBERDORFER PUMPS**  
*A Subsidiary of Thomas Industries Inc.*

## PARTS LIST AND EXPLODED VIEW



Pump Number	1	2	3	4 <sup>1</sup>	5 <sup>1</sup>	6 <sup>1</sup>	7 <sup>1</sup>	8	9	10	11 <sup>1</sup>	12	13 <sup>1</sup>	Repair Kit <sup>1</sup>
	Body	Adapter	Diffuser	Impeller	Seal Assy.	Gasket Diffus.	Gasket Flange	Screw	Plug	Plug	Shim	Motor	Set Screw	
	1 Reqd	1 Reqd	1 Reqd	1 Reqd	1 Reqd	1 Reqd	1 Reqd	8 Reqd	1 Reqd	1 Reqd	1 Reqd	1 Reqd	1 Reqd	
300	6015	6014	6017	6006	32155	6021	6022	5411	6440	6441	6025	---	---	10791
300B	7190	7191	7192	7193	32155	6021	6022	5411	7321	7443	6025	---	---	10866
300P	6015	6014	6017	7199	32155	6021	6022	5411	6440	6441	6025	---	9849	10864

<sup>1</sup>Repair Kit #10791 and #10866 include items 4, 5, 6, 7 & 11. Repair kit #10864 includes items 4, 5, 6, 7, 11 & 13.

**PUMP & MOTOR OPTIONS** These are the most frequently used pump and motor combinations. if you have other needs, our sales reps can recommend a pump and motor for your application.

Pump No.	Motor	Part #
300-F13	1/3 HP, 3450 RPM, 115v, Single Phase, ODP	5859
300-J17	1/2 HP, 3450 RPM, 110/220v, Single Phase, TEFC	8772
300-J20	1/2 HP, 3450 RPM, 115/230v, Single Phase, XP	7976
300B-01F26	1/3 HP, 345- RPM, 115v, Single Phase, ODP	32273
300B-01J26	1/2 HP, 3450 RPM, 115/230v, Single Phase, ODP	32332
300B-01J30	1/2 HP, 3450 RPM, 115/230v, Single Phase, TEFC	32498
300B-01J33	1/2 HP, 3450 RPM, 115/230v, Single Phase, ODP	8280
300B-F13	1/3 HP, 3450 RPM, 115v, Single Phase, ODP	5859

Pump No.	Motor	Part #
300B-F19	1/3 HP, 3450 RPM, 115/230v, Single Phase, ODP	7957
300B-F21	1/3 HP, 3450 RPM, 115/230v, Single Phase, XP	8214
300B-J17	1/2 HP, 3450 RPM, 110/220v, Single Phase, TEFC	8772
300B-J20	1/2 HP, 3450 RPM, 115/230v, Single Phase, XP	7976
300P-F57	1/3 HP, 3450 RPM, 220/440v, Three Phase, ODP	6996
300P-J57	1/2 HP, 3450 RPM, 220/440v, Three Phase, ODP	6998
300P-J58	1/2 HP, 3450 RPM, 220/440v, Three Phase, TEFC	9214

## DIMENSIONS

