

# BRONZE CLOSE COUPLED CENTRIFUGAL PUMP

MODEL  
101M



**OBERDORFER PUMPS**  
*A Subsidiary of Thomas Industries Inc.*

PIPE SIZE 3/8"



## FEATURES

- n All Bronze
- n Stainless Steel or Monel Shaft for Marine Use
- n Teflon(R)\* Barrier Seal to Protect Motor Bearings
- n Carbon Face Mechanical Pump Seals
- n Will handle difficult solutions with proper seals - Viton(R)\* (S10) or Teflon(R)\* (S11).
- n Explosion Proof Motors Available
- n Will Handle Contaminated Liquids
- n Extremely Quiet
- n A Standard in the Marine Air Conditioning Industry

## LIQUIDS

The special pump alloys used provide corrosion resistance to many liquids including water, water solutions, and a wide range of commercial chemicals. Questions as to the chemical compatibility of special liquids should be referred to the factory.

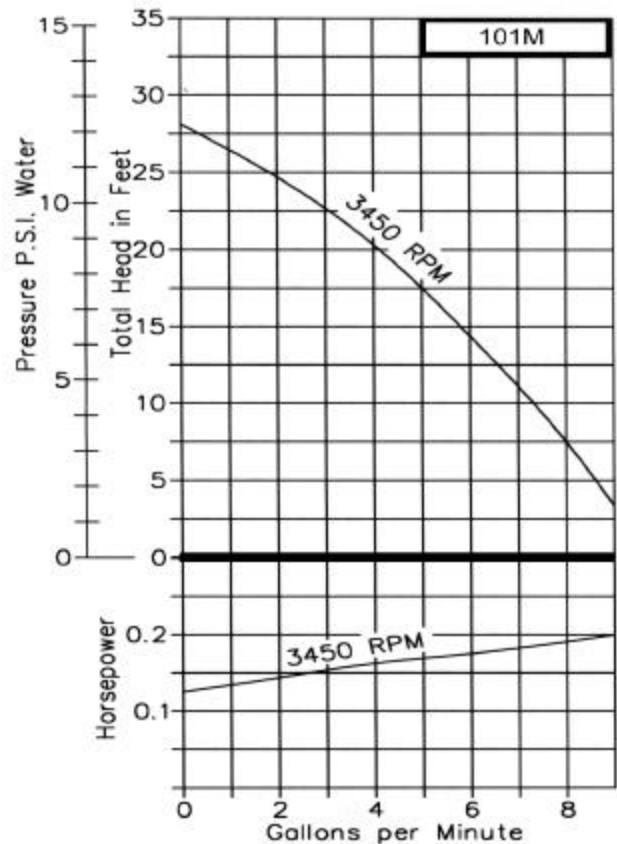
Viscous liquids with a maximum viscosity of 2000 Saybolt Seconds Universal can be pumped. However, when pumping viscous liquids as compared with water, a reduction in flow and pressure occurs and the required horsepower rate increases.

Liquids heavier than water require additional horsepower in direct proportion to the increase in specific gravity. Liquids contaminated with small solids or abrasives can be handled, but a reduction in mechanical seal life must be expected.

## CHARACTERISTICS

This close-coupled pump uses a standard NEMA C-Flange Jet Pump Motor with weld-on base and threaded shaft end to accept the pump impeller. Single phase motors are non-reversible and are wired for the proper pump rotation which is counter-clockwise looking at inlet end of pump. See

Capacity - Water at 60° F



the dimensional drawing on back. Three phase motors must be checked out for proper rotation when pump is installed. Interchanging of any 2 wires in a 3-phase system will reverse motor rotation.

The pump uses a mechanical type shaft seal with a Buna rubber element. It is suitable for water, oils, and some mild solvents and it is limited to 212° F. Viton(R)\* seals and Teflon(R)\* seals (Chemlon) are available for severe solvents, difficult chemicals, and elevated temperatures.

These centrifugal pumps are not self-priming. They must be installed below the liquid level so that the liquid flows to the pump by gravity (flooded suction). However, if a foot valve is used at the beginning of the suction line, and all air is bled from the pump by manual priming, the pump will lift on the suction side up to 15 feet. Such a system relies entirely on the non-leaking foot valve for starting capability.

The flow of a centrifugal pump can be conveniently controlled by a throttling valve in the discharge line without the need for a relief valve. In centrifugal pumps, the horsepower demand will decrease as the pressure increases. Maximum horsepower occurs with a wide open discharge.

\* Viton(R) is a registered trademark of DuPont Dow Elastomers. Viton(R) or equivalent FKM will be used.  
Teflon(R) is a registered trademark of DuPont. Teflon(R) or equivalent PTFE will be used.

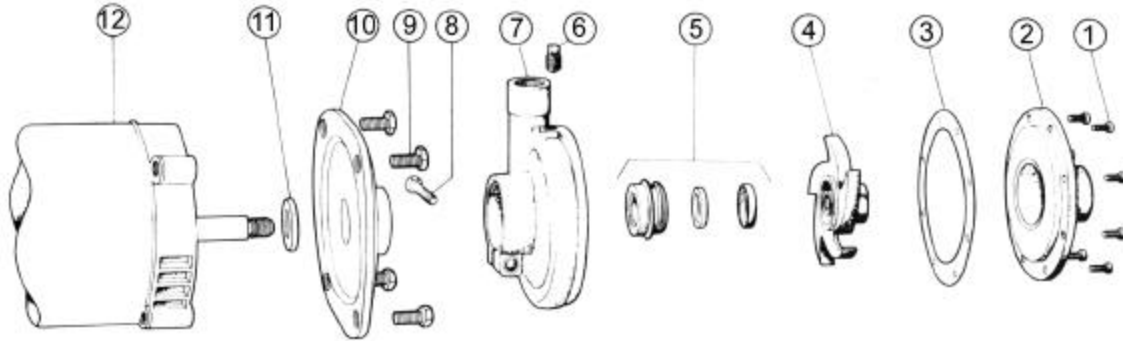
**MODEL  
101M**

# BRONZE CLOSE COUPLED CENTRIFUGAL PUMPS



**OBERDORFER PUMPS**  
*A Subsidiary of Thomas Industries Inc.*

## EXPLODED VIEW AND PARTS LIST



Pump No.	1	2	3 <sup>1</sup>	4 <sup>1</sup>	5 <sup>1</sup>	6	7	8	9	10	11 <sup>1</sup>	12	13 <sup>1*</sup>	Repair Kit	
	Screw	Cover	Gasket	Impeller	Seal Assy.	Plug	Body	Screw	Screw	Adapter	Lip Seal	Motor	Set Screw		1 Reqd
	6 Reqd	1 Reqd	1 Reqd	1 Reqd	1 Reqd	1 Reqd	1 Reqd	1 Reqd	4 Reqd	1 Reqd	1 Reqd	1 Reqd	1 Reqd		
101M	5385	6483	6502	6589	32155	5395	6475	5595	5411	6699	6683	---	---	10719 (single phase)	
101MP	5385	6483	6502	7718	32155	5395	6475	5595	5411	6699	6683	---	9849	11063 (three phase)	

<sup>1</sup> Repair Kit contains items 3, 4, 5, 11 & 13.

\* Not shown - impeller set screw for three phase motors only.

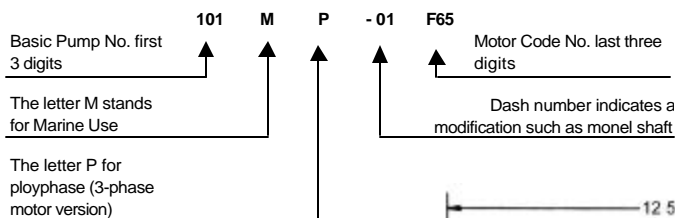
## PUMP & MOTOR OPTIONS\*

\*Note: These are the most frequently used pump and motor combinations. If you have other needs, our sales reps can recommend a pump and motor for your application.

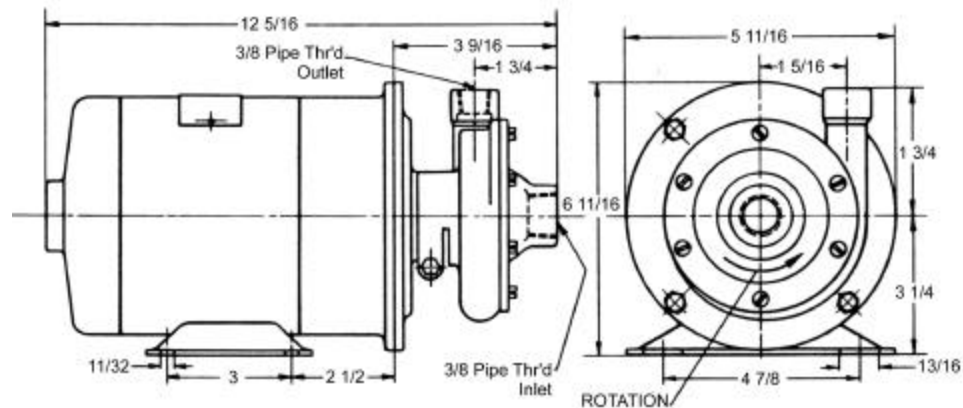
Pump No.	Electric Motor*	Motor Shaft	Part No.
101M-F13	3450 RPM 1/3 HP Single Phase 115V, ODP	Stainless Steel	5859
101M-01F26	3450 RPM 1/3 HP Single Phase 115V, ODP	Monel	32273
101M-J20	3450 RPM, 1/2 HP, Single Phase, 115/230V, TEFC	Stainless Steel	7976
101MP-F57	3450 RPM, 1/3 HP, Three Phase, 220/440V, ODP	Stainless Steel	6996

\*Motor horsepowers are not indicative of pump horsepower required. Motors listed are standard, economical, and commercially available. See HP curve for actual horsepowers required.

## NUMBERING



## DIMENSIONS



1/01 Specifications are subject to change without notice. All motor dimensions are subject to variations among motor manufacturers.